

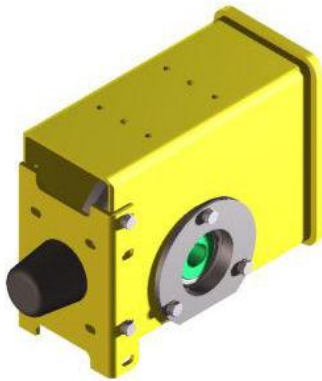


## 160 Pods

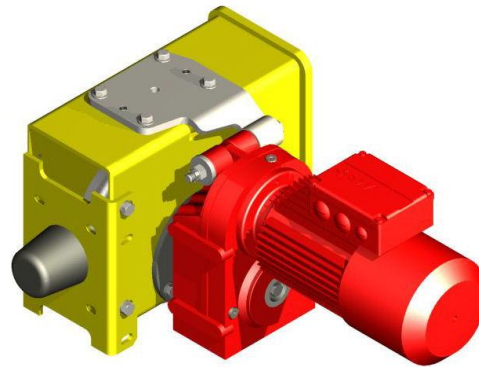
- Pods can be supplied in bare form or as a complete Pod/Gear-motor unit.
- Shafts, torque arms & dampeners available for SEW FA27 and FA37 gearboxes and Bonfiglioli F102 gearbox.
- Custom shafts and torque brackets can be designed and manufactured for other gear/motor combinations.
- Designed to be welded onto 150 x 250 RHS.

Wheel Tread Diameter	Effective Rail Head Width	PW Mean* Wheel Capacities (kN) Class M4 AS1418.1				Wheel Load (kN)	
		Travel speed MPM				Max Static	Max Dynamic
		20	30	40	50		
160mm	40	38	37	35	33	40	45

\*PW Mean = (PW Min + 2 x PW Max)/3



Bare Drive pod  
Idler pod identical except that hub is solid.



Fully optioned Pod/Gear-motor  
Various Gear-motor combinations available

